



Installation Instructions

Page 1 of 21

September 2006

Communication, Rear Seat Entertainment

Ver 1.0

Accessory
Development

SUBJECT

REAR SEAT ENTERTAINMENT SYSTEM - P/N 84 11 0 399 307

MODEL

X3 (E83): Select Vehicle Production 09/03 - On*

* Vehicle must have optional Front Armrest (SA 473) and is not compatible with 6-Disc CD changer (SA 672).

SUGGESTED INSTALLATION TIME: 2.0 – 2.5 HOURS

Total installation time may vary depending on vehicle options and equipment.

The instructions below are developed for BMW vehicles and are not to be compared to any other existing instructions for vehicles other than BMW. No methods other than those specified in this document are to be used for installation in BMW vehicles. Left and right are determined from the driver's seat.

Carefully read all instructions and supplements before proceeding with the installation. Reference should be made to TIS for instructions dealing with a stock part of the vehicle but not stated in detail in these instructions.

The instructions were complete and up to date at time of publication; however, changes to the vehicle or installation may have occurred. Please report any problems or changes noted with the installation to BMW Technical Hotline, along with VIN, date of manufacture and as much detail as possible.

★ ★ DO IT RIGHT THE FIRST TIME, ON TIME, EVERY TIME ★ ★

PARTS INFORMATION**Contents of Kit - P/N 84 11 0 399 307**

Description	Qty	BMW Part Number
DVD Player	1	84 11 0 306 647
Remote Control DVD	1	84 11 0 306 644
Headphone Dual Ch.	2	84 11 0 306 645
A/V Control Module	1	84 11 0 392 072
Screw (8-32 x ¼")	2	N/A

ADDITIONAL REQUIRED PARTS

Description	Qty	BMW Part Number
Headrest Monitor Kit Beige or	1	84 11 0 306 649
Headrest Monitor Kit Black or	1	84 11 0 306 650
Headrest Monitor Kit Grey or	1	84 11 0 306 651
Headrest Monitor Kit Terra	1	84 11 0 306 652
Seatback push-clip	4	52 20 1 964 201
A/V Module Connector (White)	1	84 11 0 399 309
A/V Module Bracket	1	84 11 0 399 313

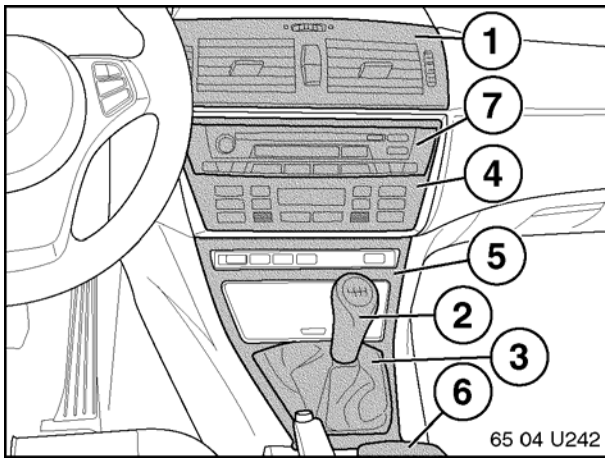
Contents of Headrest Monitor Kit: P/N 84 11 0 306 649-652

Description	Qty	BMW Part Number
Headrest Monitor	2	Same as Kit
Trim Panel (including cup & 3 locking clips)	1	51 16 3 403 653
Bezel – DVD Player	1	84 11 0 392 073
DVD Wiring Harness	1	84 11 0 306 646
LCD Extension Cable	2	84 11 0 392 847
DVD Player Bracket	2	84 11 0 392 074
CDC Bracket-modified	1	N/A
Foam Wrapping Pad	2	N/A
Felt Pad	1	N/A
Screw (6-32 x ¼")	4	N/A
Screw (M5x6)	4	N/A
Flat Washer	4	N/A
Lock Washer	4	N/A
Cable ties (2.5mm)	4	N/A
Cable ties (4mm)	1	N/A
DVD Owners Manual G3	1	84 11 0 306 648

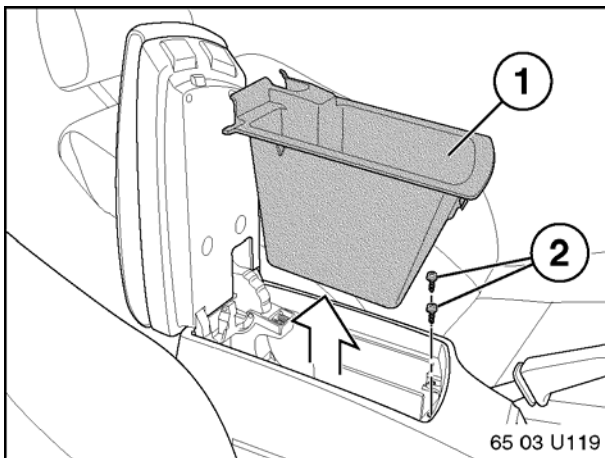
ADDITIONAL OPTIONAL PARTS

Description	BMW Part Number
Radio AUX Input Adapter**	84 11 0 392 070
3pol AUX Input Cable	84 11 0 392 065

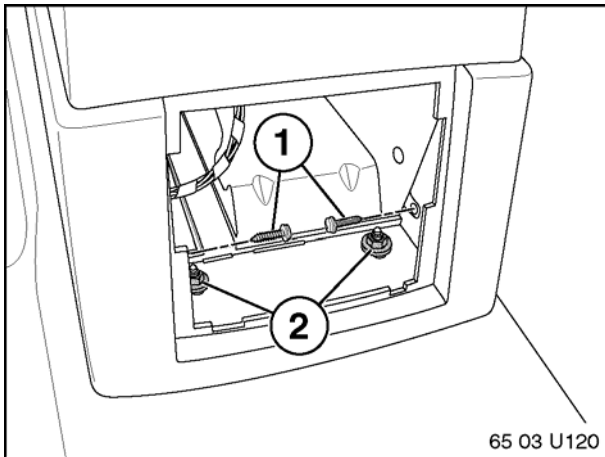
** Cannot be used together with AUX Input adapter 82 11 0 149 390 or factory installed AUX Input for vehicle production 08/06 –On.

Vehicle Preparation

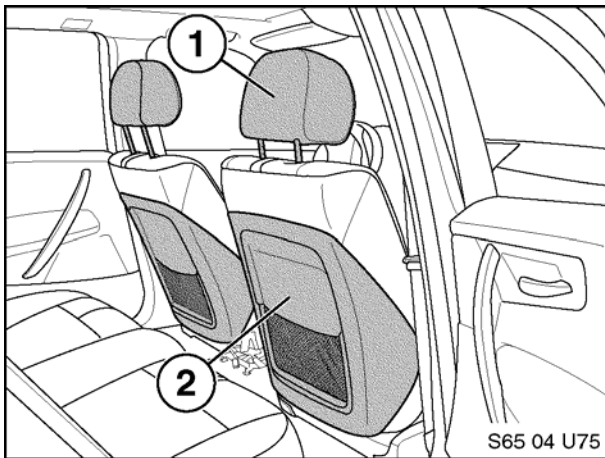
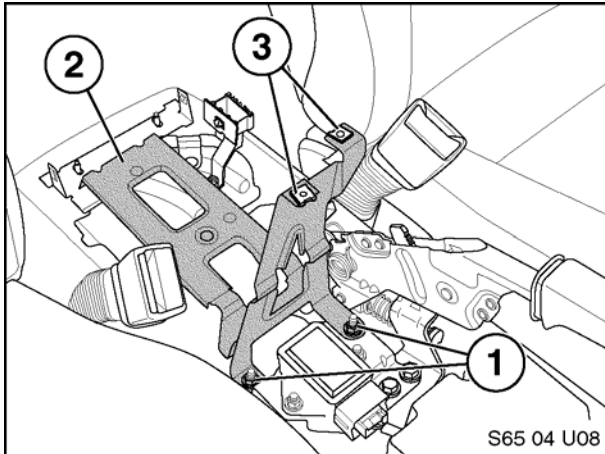
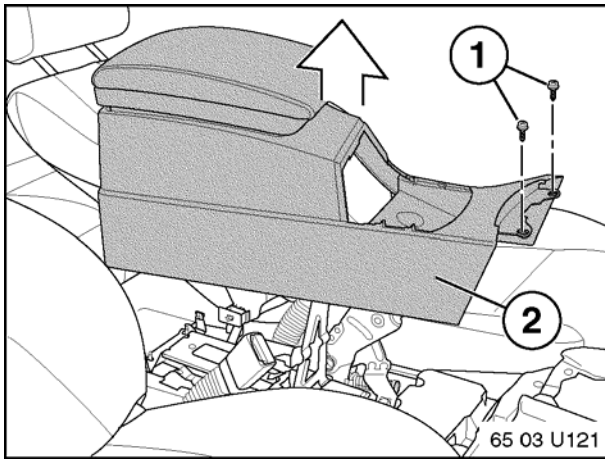
1. Disconnect Battery.
2. Remove the following components using procedures available through TIS:
 - Center vent (1)
 - Shifter knob (2)
 - Shifter boot/Gear selector panel (3)
 - Climate control panel (4)
 - Console trim panel (5)
 - Center cup holder (6)
 - Parking brake handle/boot
 - Rear ashtray assy. (not shown)
 - Radio (7) – [Required only for installation of optional Radio AUX Input adapter]



3. Remove storage bin (1) and screws (2). Original storage bin will not be reused.



4. In rear of console remove 2 screws (1) and 2 nuts (2).



4

5. Remove 2 screws (1).
6. Lift rear of center console (2) and disconnect eject box electrical connections between center console and vehicle.
7. Center console may now be lifted out of position and removed from vehicle, taking care not to damage interior components.

8. Remove 2 forward nuts (1) securing base bracket (2) Remove base bracket from vehicle.
9. Remove 2 clips (3) from top of base bracket, as they will be reused in a later step. Base bracket will not be reused.

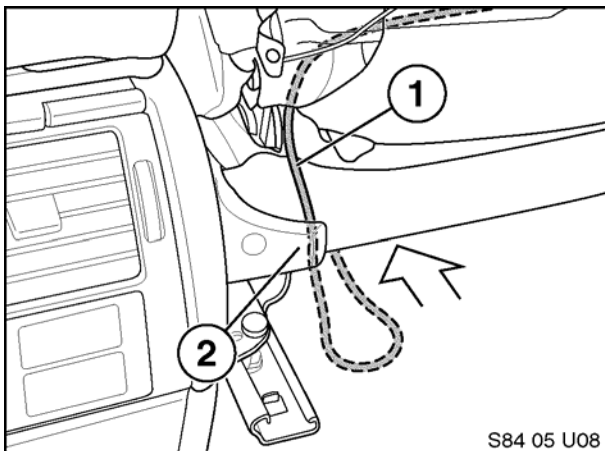
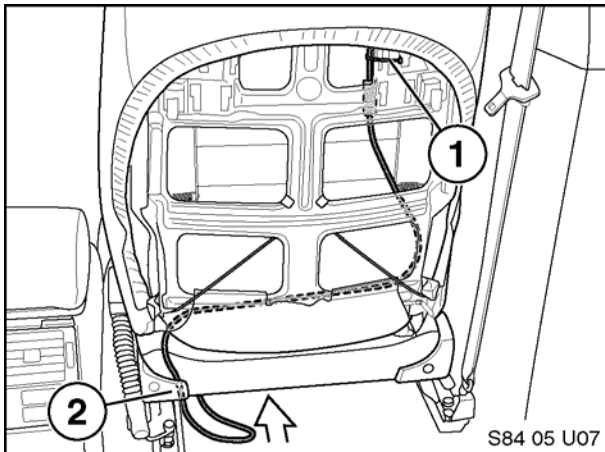
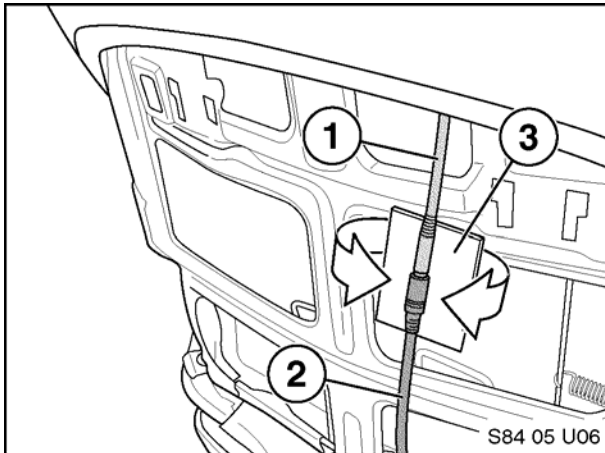
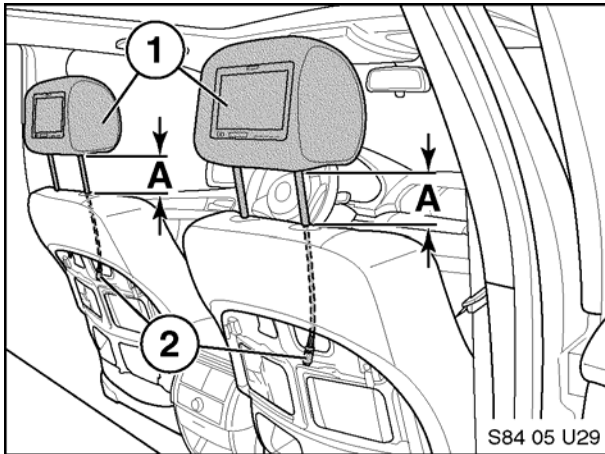
The following procedure must be performed for both front seats. Complete right side, then repeat procedure for left side.

10. Remove headrest (1).
11. Remove front seatbacks (2).
(Refer to RA 52 15 198)

Note: Seat back clips p/n 52 20 1 964 201 must be replaced with new parts. (4 required)

12. Adjust seats to farthest rear position

Headrest Installation



Note: Select Headrest monitor labeled “A” for left side and “B” for right side

1. Route monitor cable (2) down through headrest-post opening and insert headrests (1). Position headrest at the highest lockable position (A).

Caution: Check for bent pins on monitor cable before attaching monitor cable to extension cable. If pins are damaged carefully adjust them back into position before connecting.

2. Align arrows on monitor and extension cables, then connect cables and secure with foam wrapping from kit.

Note: Passenger Seat Shown for Steps 3-7.

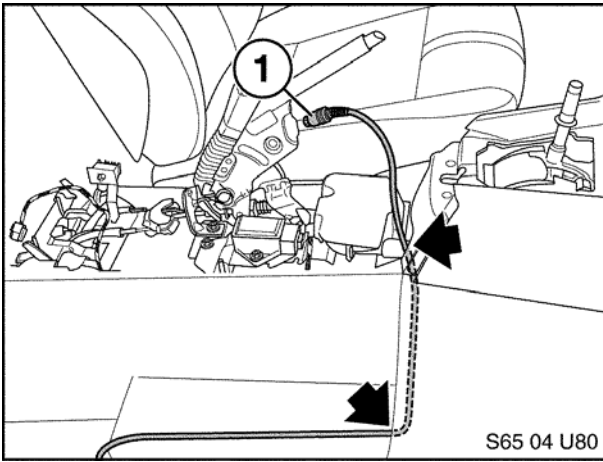
3. Route extension cable 84 11 0 396 730 down thru seat back as shown.

Note: Secure extension cable to seat back bracket using cable ties (1) to prevent monitor cable connection from moving during headrest up/down adjustment.

Note: Routing of cable shown is for passenger seat only. Driver seat cable routing will differ.

4. Route extension cable through the lower edge of the backrest (1) and under the plastic clip at the edge of the seat (2).
5. Route remaining cable under seat towards the front of the vehicle as shown

Warning: Failure to perform these steps will result in damage to the monitor cable.

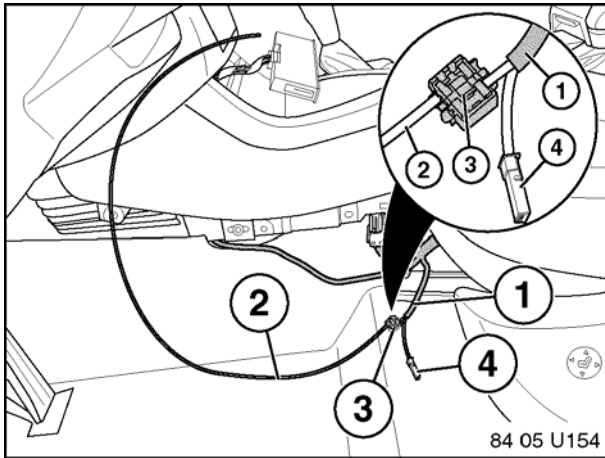


6

6. Route extension cable (1) from below seat (near air duct) up to center console area and tuck under carpeting. Allow approximately 12" of cable from back of front console to cable end.
7. Repeat steps 1 through 6 for left seat.

Note: Make sure there is enough slack in extension cables to allow full range of seat movement before proceeding.

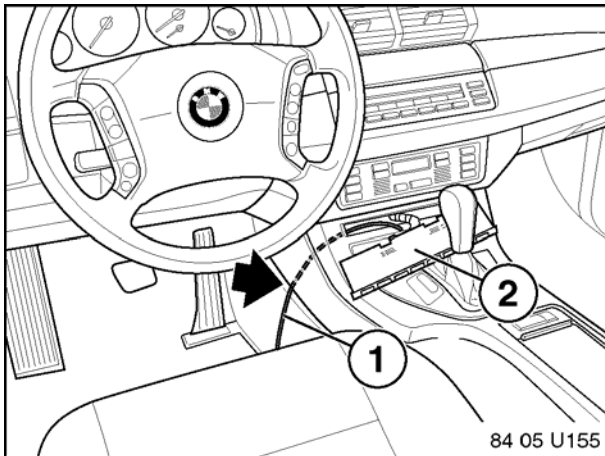
Note: Seat removed for illustration purposes.

Wiring Procedure for Vehicle Production 07/05 – On

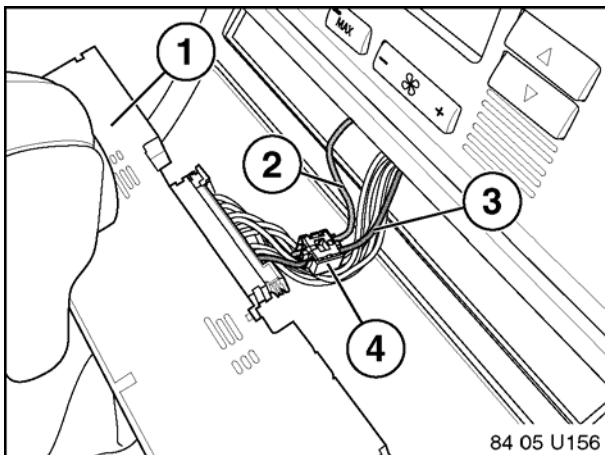
1. Cut off male pin from violet wire of DVD Wiring Harness (1) P/N 84 11 0 395 140.
2. Obtain approximately 3 feet of 18 - 20 gauge wire (2), not included in kit, to be used as extension wire.
3. Connect end of extension wire (2) to violet wire with pin removed in Step 22 from DVD wiring harness (1) using quick connector 61 13 8 364 566 (3)

Note: Black 2-pin connector (4) from DVD Wiring harness will not be utilized for this installation.

Note: Ensure that no exposed wires are present on the quick connect (3) as this may lead to a short circuit.

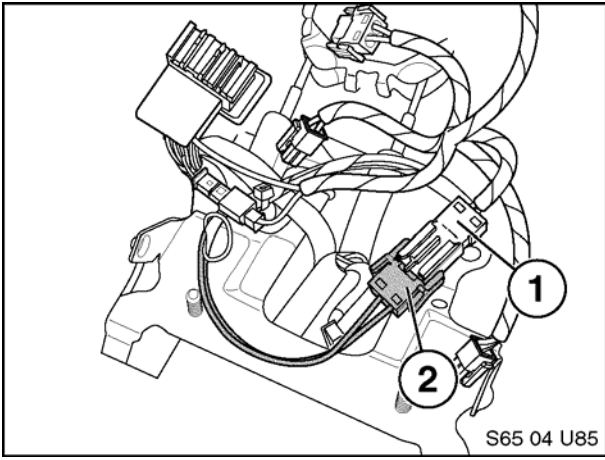


4. Remove switching center (2)
5. Route extension wire (1) through center console and up to opening for switching center (2).



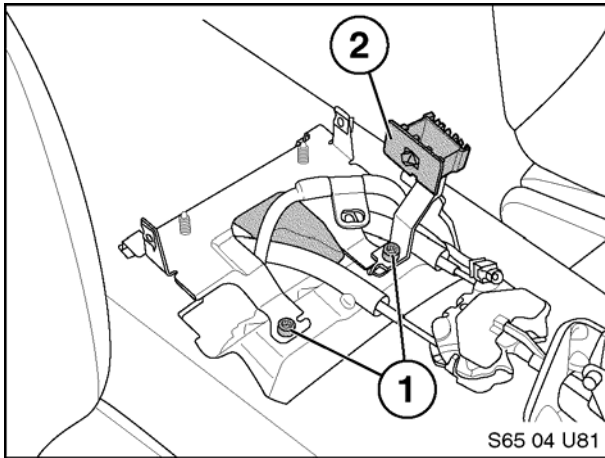
6. Connect other end of extension wire (2) to violet/blue wire (3) located in pin location 23 of switching center (1) connector X1869 using quick connector 61 13 8 364 566 (4).

Note: Ensure that no exposed wires are present on the quick connect (4) as this may lead to a short circuit.

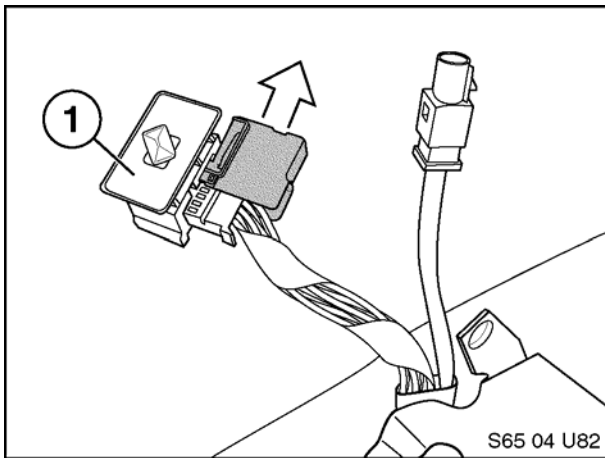


8

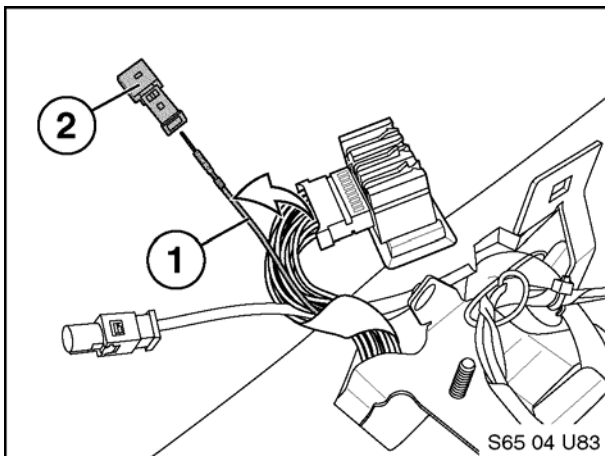
7. Connect white 2-pin connector (1) from DVD harness to vehicle cigar-lighter connector (2).

Wiring Procedure for Vehicle Production 09/03 – 07/05

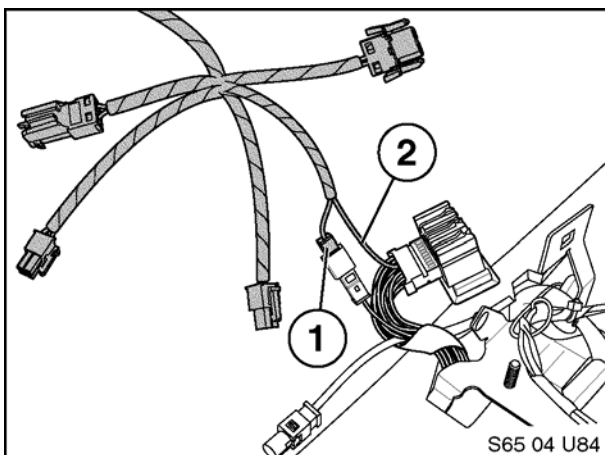
1. Remove 2 Torx bolts (1) from center console mounting location and locate eject-box connector (2).
2. Remove eject-box connector from bracket.



3. Unclip and slide wire shield off of eject box connector (1).



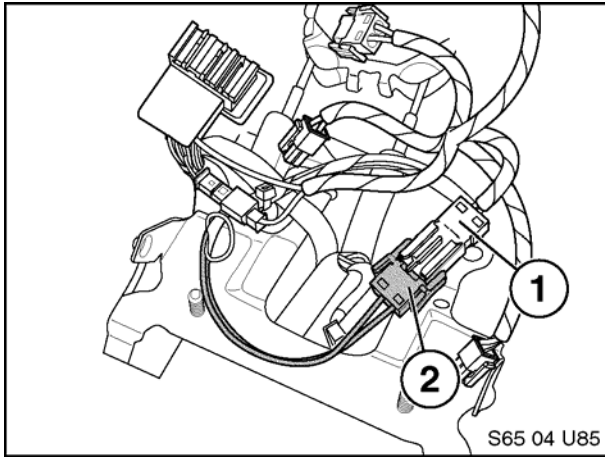
4. Remove Pin 6, Violet/white wire (1) from connector.
5. Insert pin removed from eject-box connector into location 1 of black 2-pin connector (2) included in kit.

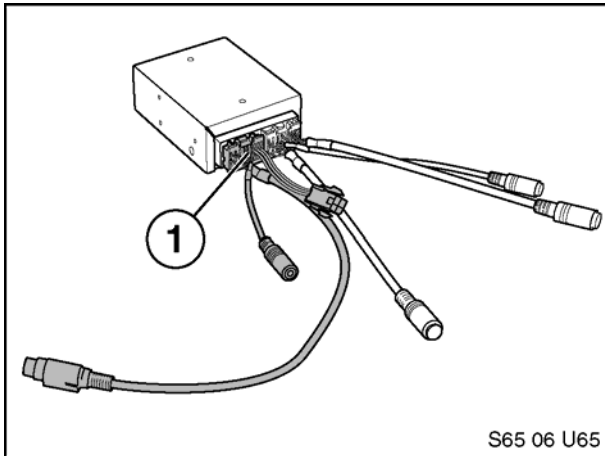


6. Insert male pin (2) from DVD wiring harness into pin location removed in previous step.
7. Connect male and female black 2-pin connectors (1).
8. Re-assemble eject-box connector.

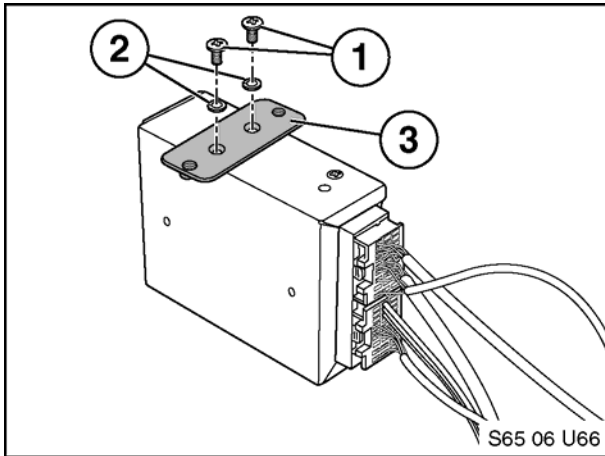
10

9. Connect white 2-pin connector (1) from DVD harness to vehicle cigar-lighter connector (2).



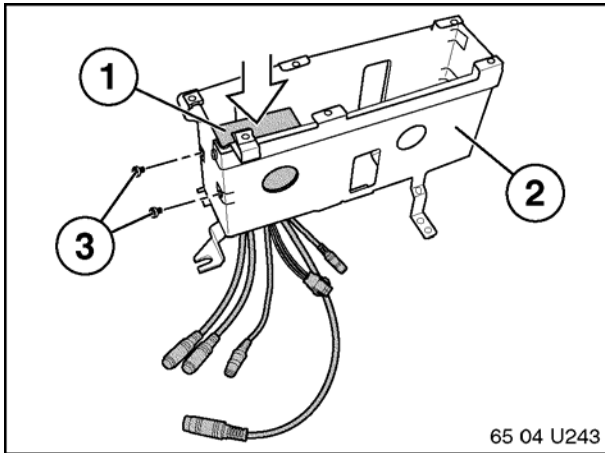
Procedure for Center Console

1. Insert white A/V connector (1) P/N 84 11 0 399 309 into A/V module as shown.

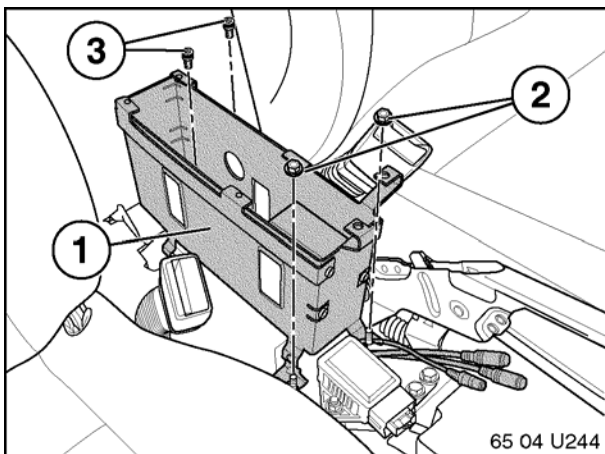


2. Install A/V bracket (3) to A/V module using small screws (1) and washers (2) included in P/N 84 11 0 399 313.

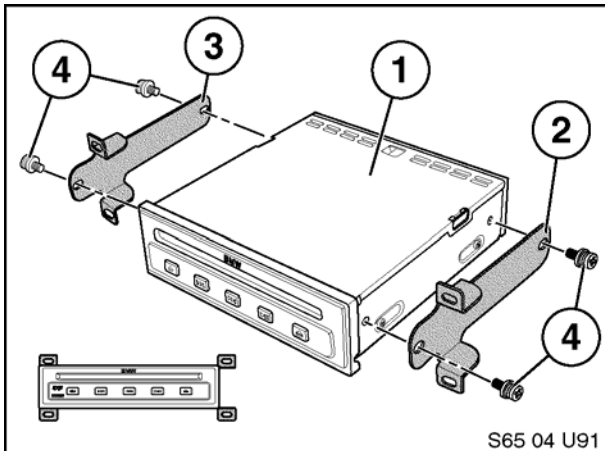
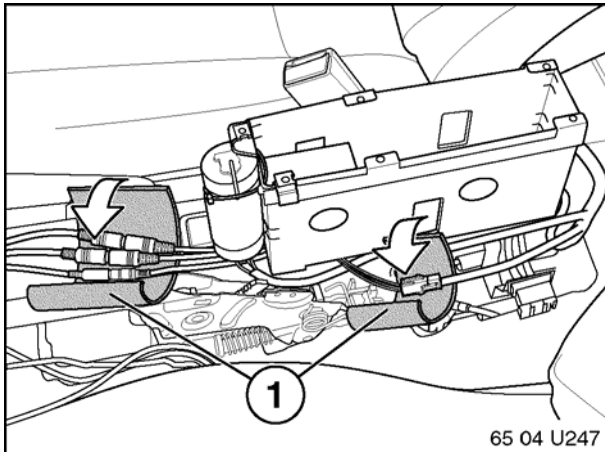
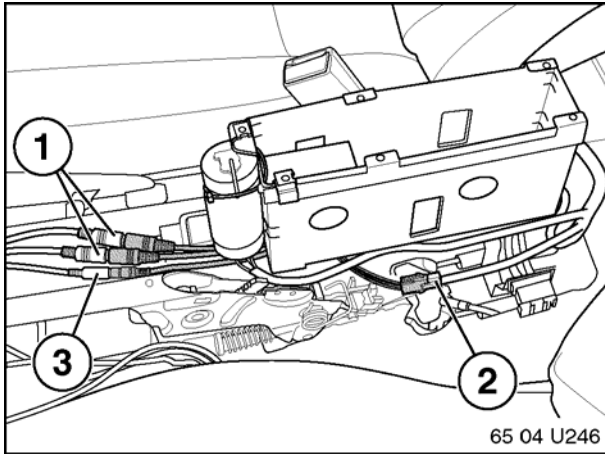
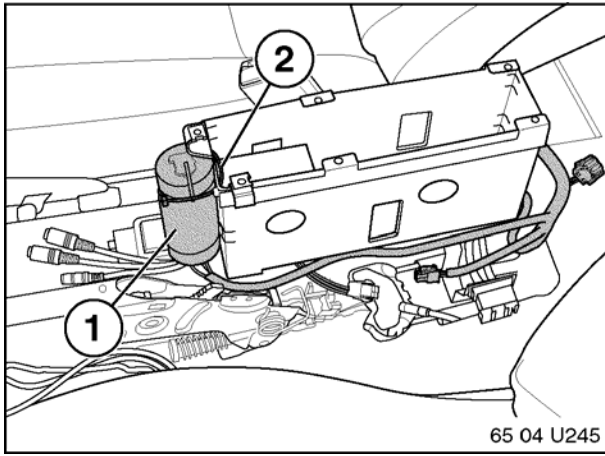
Note: Ensure that bracket is installed to A/V module with correct orientation as shown in the illustration.



3. Mount A/V module (1) to inside bracket assembly (2) as indicated using 2 screws (3) included in P/N 84 11 0 399 313.



4. Mount bracket assembly (1) to vehicle as indicated using 2 nuts (2) and 2 Torx bolts (3).
5. Reinstall eject-box connector bracket in place above left rear leg of bracket assembly.



12

6. Route filter from DVD wiring harness (1) to outside of bracket assembly as shown.
7. Locate and secure filter with a cable tie (2) to the bracket to accommodate other components in this location.

Note: Filter (1) shown in higher-than-normal position for illustration purposes only.

Caution: Check for bent pins on extension cable before attaching extension cable to A/V module cable. If pins are damaged carefully adjust them back into position.

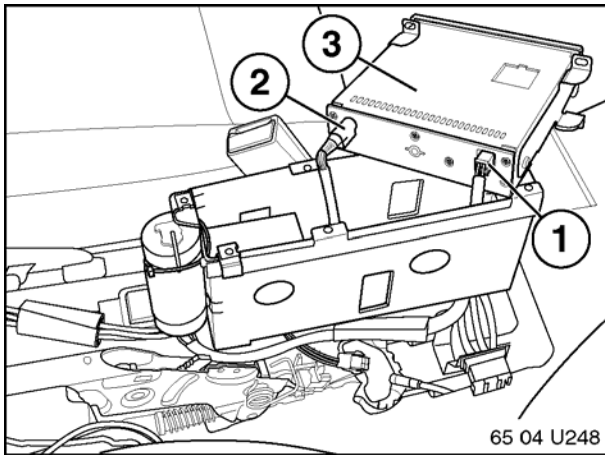
8. Align arrows on extension and A/V module cables, and connect 2 video extension cables to A/V module cables (1).
9. Connect white 4-pin connector to A/V module 4-pin connector (2).
10. Optional: Connect male end of Aux input adapter P/N 84 11 0 392 070 into the female end of A/V module. (3)

11. Secure connectors with vinyl tape or heat-shrink tubing (1).

12. Assemble DVD Player (1) to mounting brackets (2 & 3) as indicated using 4 M5x6 screws and split-lock washers (4). Brackets should be mounted to DVD player at the center of their slots.

13

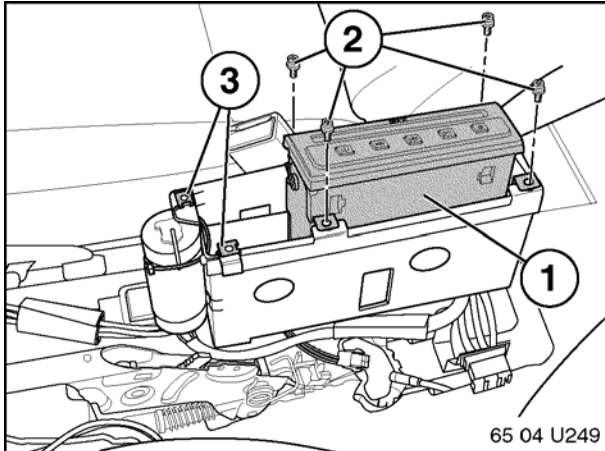
13. Route 4-pin power connector (1) and DIN connector (2) up through center of bracket assembly and connect to DVD Player (3).

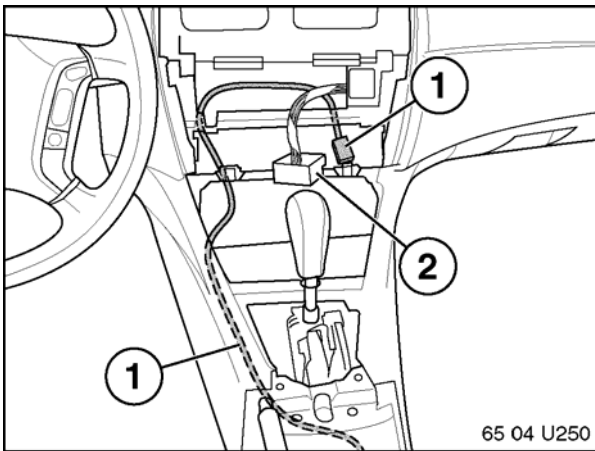


14. Mount DVD Player (1) in bracket assembly as indicated using 4 6/32 x 1/4" screws and flat washers (2).

Note: Do not completely tighten screws at this point.

15. Insert 2 clip nuts removed from original base bracket in these 2 locations (3).

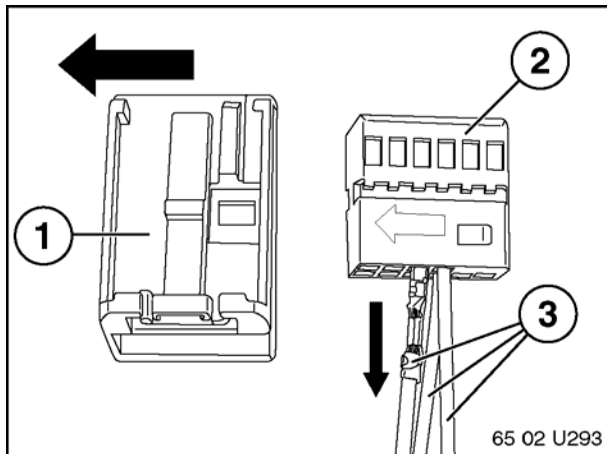


Procedure for Optional Radio AUX Input Adapter 84 11 0 392 070:

1. Route the aux input adapter (1) from the A/V module under the gear selector panel, console trim panels, then up behind the climate controls and out the radio opening.
2. Locate main radio connector (2) and insert 12-pin black connector from radio Aux input adapter into main radio connector.

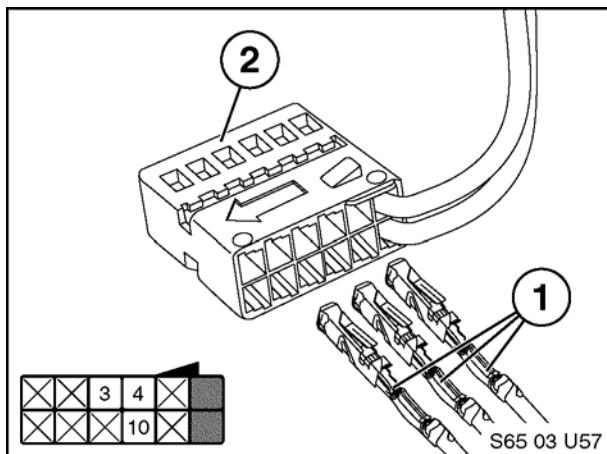
If Radio harness already has a black 12-pin connector in this location (2), perform Steps 3 - 6.

Warning: Failure to perform the next 4 Steps will result in loss of audio from BMW Assist and/or hands free phone operation and/or Navigation system.



3. Remove Black housing (1) from black 12-pin Connector (2) of AUX adapter P/N 84 11 0 392 070. Remove 3 terminals (3) from connector (2) by pushing in metal tangs on terminals with pin removal tool and pulling terminals out of connector.

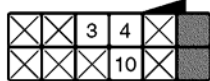
Note: Take care not to damage these terminals since they will be reused.

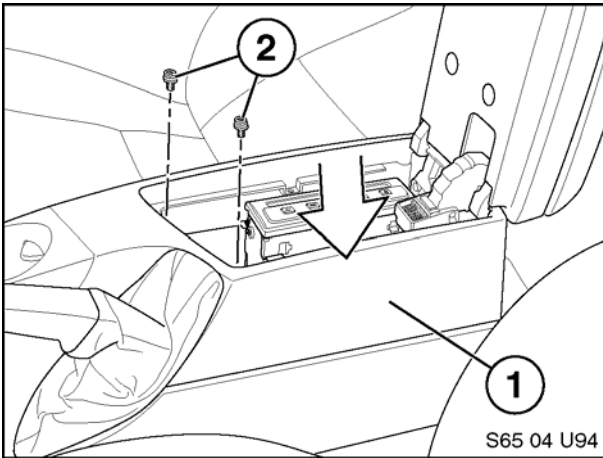


4. Remove existing black 12-pin connector from radio harness and remove black housing.
5. Insert 3 terminals (1) of Auxiliary adapter cable P/N 84 11 0 392 070 into existing 12-pin connector (2) in shown locations.

White/Red - Slot 3
White/Blue - Slot 4
White/Brown - Slot 10

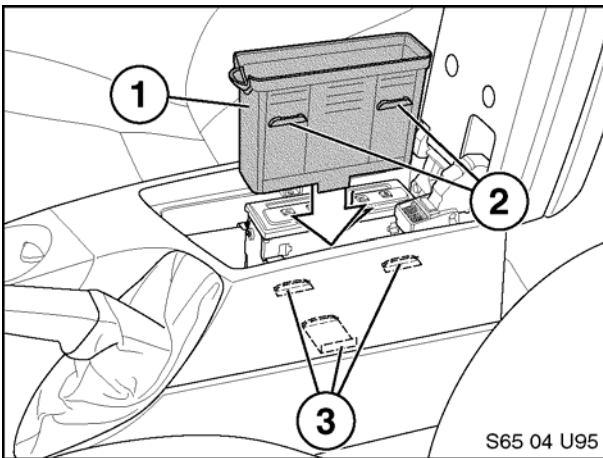
6. Re-install black housing onto 12-pin connector, then re-insert into radio harness.



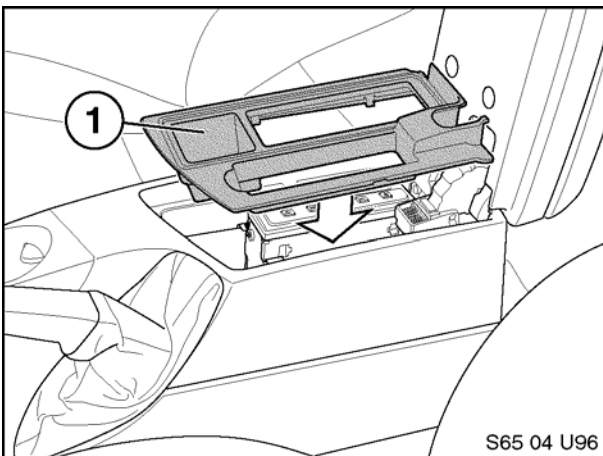
Procedure for Center Console Re-assembly:

1. Return center console (1) to vehicle and secure using original hardware (2).

Note: Remember to reconnect eject-box connections upon re-assembly.

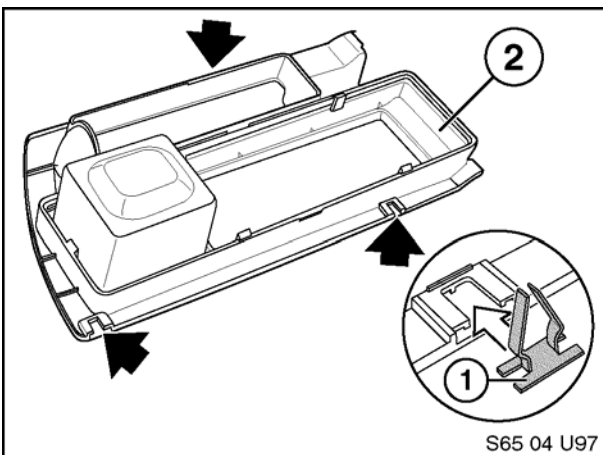


2. Insert storage cup (1) into left interior of center console. Confirm slots on storage cup (2) are properly seated on 3 mounting tabs inside console (3).

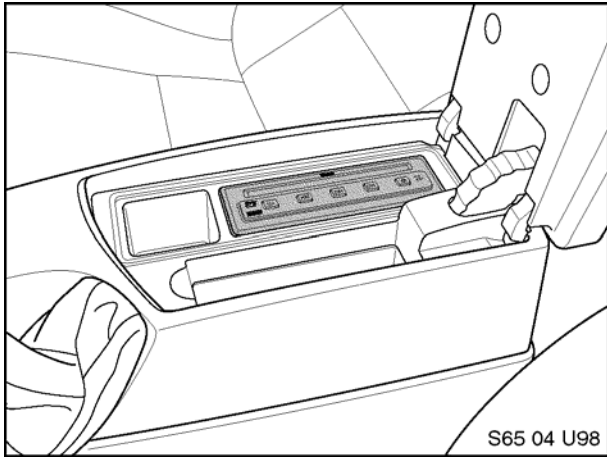


3. With the aid of finisher panel (1), align DVD player so it is centered in finisher panel cutout. Remove panel and tighten DVD player bracket screws.

Note: It may be necessary to adjust the height of the DVD player so buttons are not depressed when armrest is closed. With the aid of a flat edge (such as a credit card) confirm DVD Player buttons rest below ridge of trim bezel. If necessary remove DVD Player and adjust player-to-bracket mounting slots until player is properly aligned.



4. Insert 3 locking clips (1) from kit into underside of finisher panel (2) in selected locations.

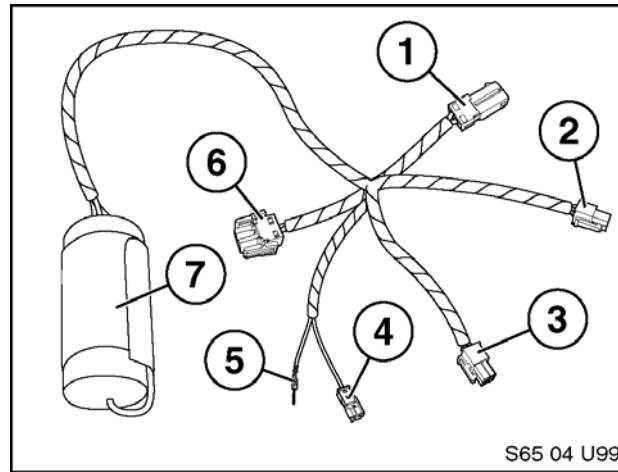


16

5. Insert finisher panel over CD Changer and storage cup. Align all mounting points and lock finisher panel in place. Check for smooth operation of all moving parts.
6. Remove protective film covering monitors before returning vehicle to customer.
7. Reinstall all components removed during installation.

RETROFIT CODING

There is no retrofit coding required for this installation.

WIRING HARNESS

<u>Connector</u>	<u>Location</u>	<u>Description</u>
1	To center console 12V power connector	2 Pin male connector (white)
2	To DVD Player	4 Pin connector (white) includes KL-R, KL30 and KL31
3	To A/V Module	4 Pin connector (white)
4	To 2-pin connector	2 Pin female connector (black)
5	To eject-box connector or switching center	Inserted into 2 Pin male connector (black) or cut off and extended to switching center depending on vehicle production dates
6	To rear center console 12V power connector	2 Pin female connector (white)
7	Power Filter	Filters rear center console cigarette lighter power connector (KL 30) and RSE system.

TROUBLESHOOTING**DVD Player**

Symptom	Remedy
Unit does not operate.	<ul style="list-style-type: none"> • Turn Ignition 'ON' • Press Power 'ON' from remote • Fuse blown, replace with a fuse of same capacity • Turn Monitor's power 'ON' • Consult BMW Technical Hotline
No picture is produced.	<ul style="list-style-type: none"> • Switch to the appropriate A/V source.
Playback does not start.	<ul style="list-style-type: none"> • Check that disc is loaded with label side facing upwards • Clean disc • Check for disc compatibility • Press "MENU" to turn menu off
Picture is unclear or noisy.	<ul style="list-style-type: none"> • During fast-forward or fast-reverse, picture can be slightly distorted. This is a normal situation • Consult BMW Technical Hotline
Image sometimes stumbles or freezes	<ul style="list-style-type: none"> • Clean or replace disc if it is scratched.
NO DISC	<ul style="list-style-type: none"> • Load a disc. • Clean disc.
⊙ (Not Valid)	<ul style="list-style-type: none"> • For some discs or playing modes, certain operations are not possible. This is not a malfunction.
REGION ERROR	<ul style="list-style-type: none"> • Load a disc with correct regional code number.
BAD DISC	<ul style="list-style-type: none"> • Inserted disc is of unknown format. Load an NTSC disc. • Inserted disc is Un-Readable
Black and white monitor, blank monitor, or frozen monitor	<ul style="list-style-type: none"> • Overheating. Turn system power 'OFF' and then turn power 'ON' again. If display still does not appear normal, leave power 'OFF' until temperature decreases and then turn power 'ON' again.

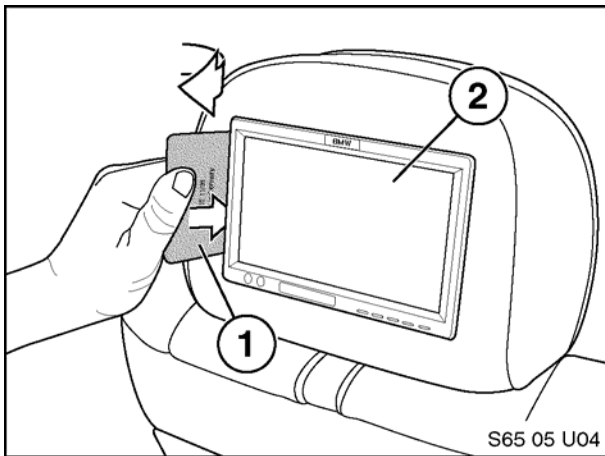
Monitor/Sound

Symptom	Remedy
POWER button on Monitor does not function. No function or display.	<ul style="list-style-type: none"> • Turn ignition 'ON'. • Check vehicle's battery voltage. • Consult a BMW Technical Hotline
No picture on Monitor screen during playback.	<ul style="list-style-type: none"> • Confirm Monitor's power button is "ON" • Confirm Monitor's input is set to appropriate source. • Adjust monitor brightness. • Monitor's protective circuit is on because of high temperature. Wait until temperature inside vehicle comes down to normal monitor operating temperature. • Open connection with Monitor, AV Interface unit, or DVD. Consult BMW Technical Hotline
Picture color is poor.	<ul style="list-style-type: none"> • Set Brightness/Color/Tint controls to proper settings.
Spots or dotted lines/stripes appear.	<ul style="list-style-type: none"> • Caused by neon signs, high-voltage power lines, CB transmitter, and other vehicle's ignition plugs, cell phones, etc. Change location of the vehicle.
No Remote Control operation or unstable operation.	<ul style="list-style-type: none"> • Remove any obstacle between System Remote Control and remote sensor on Monitor. • Replace batteries with new ones. Insert them correctly. • Ensure System Remote Control is being aimed at correct angle at remote sensor on Monitor. (See page 23) • Clean remote sensor or transmitter.
No sound from headphones.	<ul style="list-style-type: none"> • Turn on POWER to headphone. • Turn up volume on headphones. • Replace batteries in headphones.
Distorted sound from headphones.	<ul style="list-style-type: none"> • Interference from outside light source, cell phones, etc. Change location of the vehicle. • Headphone set to wrong channel. Change channel. • Replace batteries with new ones. Insert them correctly.

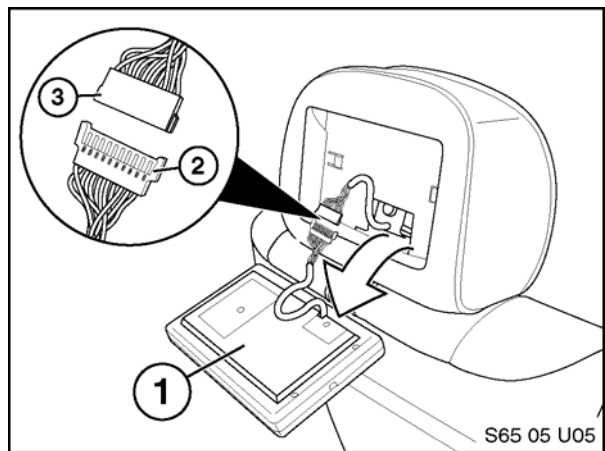
In Case of Difficulty...

- If operation freezes, monitor goes black, or unit should otherwise not function properly, try turning power 'OFF' and then back 'ON'. Alternatively, try the following methods in the order listed until DVD Player returns to normal playback mode:
 1. Change source from DVD to other source then to DVD mode.
 2. Turn vehicle's ignition 'OFF' and then back 'ON' again.
 3. Press RESET button on the face of DVD Player.

If the unit is still at fault, please consult BMW Technical Hotline

LCD REPLACEMENT/REPAIR:

1. Using special tool 00 9 340 (1) pry monitor (2) from headrest at left hand side as shown.



2. Lower monitor (1) from headrest and disconnect / re-connect LCD monitor connector (2&3) as shown.

For replacement of LCD monitor:

Note: Take care when re-inserting wiring harness with connector into headrest cavity to avoid damage to the wiring.